

Fristam FKL Series



Архангельск (8182)63-90-72
Астана (7172)727-132
Астрахань (8512)99-46-04
Барнаул (3852)73-04-60
Белгород (4722)40-23-64
Брянск (4832)59-03-52
Владивосток (423)249-28-31
Волгоград (844)278-03-48
Вологда (8172)26-41-59
Воронеж (473)204-51-73
Екатеринбург (343)384-55-89
Иваново (4932)77-34-06

Ижевск (3412)26-03-58
Иркутск (395)279-98-46
Казань (843)206-01-48
Калининград (4012)72-03-81
Калуга (4842)92-23-67
Кемерово (3842)65-04-62
Киров (8332)68-02-04
Краснодар (861)203-40-90
Красноярск (391)204-63-61
Курск (4712)77-13-04
Липецк (4742)52-20-81
Киргизия (996)312-96-26-47

Магнитогорск (3519)55-03-13
Москва (495)268-04-70
Мурманск (8152)59-64-93
Набережные Челны (8552)20-53-41
Нижегород (831)429-08-12
Новокузнецк (3843)20-46-81
Новосибирск (383)227-86-73
Омск (3812)21-46-40
Орел (4862)44-53-42
Оренбург (3532)37-68-04
Пенза (8412)22-31-16
Казахстан (772)734-952-31

Пермь (342)205-81-47
Ростов-на-Дону (863)308-18-15
Рязань (4912)46-61-64
Самара (846)206-03-16
Санкт-Петербург (812)309-46-40
Саратов (845)249-38-78
Севастополь (8692)22-31-93
Симферополь (3652)67-13-56
Смоленск (4812)29-41-54
Сочи (862)225-72-31
Ставрополь (8652)20-65-13
Таджикистан (992)427-82-92-69

Сургут (3462)77-98-35
Тверь (4822)63-31-35
Томск (3822)98-41-53
Тула (4872)74-02-29
Тюмень (3452)66-21-18
Ульяновск (8422)24-23-59
Уфа (347)229-48-12
Хабаровск (4212)92-98-04
Челябинск (351)202-03-61
Череповец (8202)49-02-64
Ярославль (4852)69-52-93

<https://fristam.nt-rt.ru/> || fmg@nt-rt.ru

Fristam FKL positive displacement pumps

These circumferential piston pumps are extremely hygienic and offer high pumping efficiencies at discharge pressures up to 35 bar. Their revolutionary split-style gearbox makes maintenance quick and easy. FKLs are perfect for the dairy, meat, food, beverage, chemical, cosmetics and pharmaceuticals industries. Their smart design makes them extremely reliable and long-lasting.

HIGHEST QUALITY

The FKL series complies with the highest standards and recommendations such as 3A. FKLs are built with superior materials. Corrosion-resistant steel such as chromium molybdenum steel 316L with a minimum thickness of 6.0 mm, 3.1 material certification (certificate available upon request) and FDA certified elastomers guarantee maximum safety in the process. All pumps from the FKL series offer CIP and SIP.

TIGHT INTERNAL TOLERANCES

They not only allow for higher pumping efficiency with incredible suction performance, but also reduce product damage due to shear. This results in very gentle product handling and ultimately better product integrity. The FKLs' tight tolerances also make our pumps more resistant to wear from abrasive products – and enable them to handle goods with higher viscosities.

OPTIMAL DESIGN

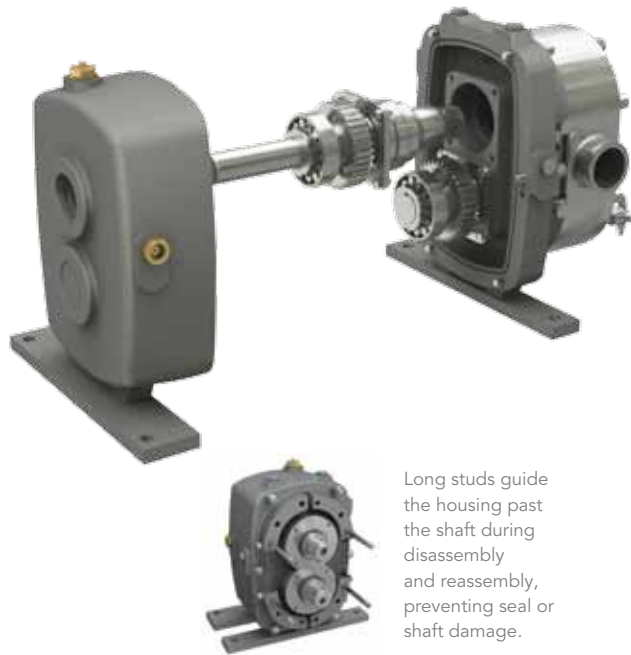
The solid design and robust construction of Fristam FKL pumps ensure highest efficiency and operational reliability. Some of their most significant features are:

- high-pressure rotors
- offset rotor bolts
- the revolutionary split gearbox
- the extra-dimensional shaft
- seamless seals

Split gearbox

This revolutionary design provides quick and easy access to bearings and shafts (available on models 15–250), ensuring long life and uninterrupted performance with:

- bearing-supported gears for even load distribution and less shaft deflection
- large bearings for longer life and less maintenance
- easy access with gearbox halves separable in less than one minute
- complete shaft assembly with gears and bearings removable as one
- simple reassembly after maintenance
- labyrinth oil seals preventing water or product contamination, and protecting against high-pressure washing or product build-up
- low-maintenance lubrication



Long studs guide the housing past the shaft during disassembly and reassembly, preventing seal or shaft damage.





Extra-dimensional shaft

A Fristam FKL shaft is made from a single solid piece of 316L stainless steel. It has a larger diameter and a shorter overhung load to withstand elevated pressure without breaking.



Seamless seal changeover

FKL seals are completely contained within a cartridge. No extra modification is needed to switch from a single to a double seal or from O-ring to a mechanical seal.



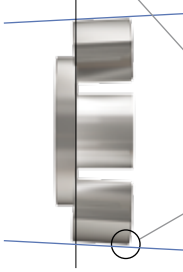
Offset rotor bolts

The FKL's special rotor bolts lessen the unwinding force of the product. They provide natural agitation in order to enhance cleanability in the cavity.



High-pressure rotors

Fristam FKL rotors are balanced, meaning the support hub is centred so that under high-pressure conditions the force acts through the central axis of the rotor in order to keep the lobes from distorting. Our specific construction ensures that forces are distributed evenly and contact with the rotor case is prevented.



Unbalanced rotor contact point – causing damage to rotor and housing
deflection

FKL balanced rotor

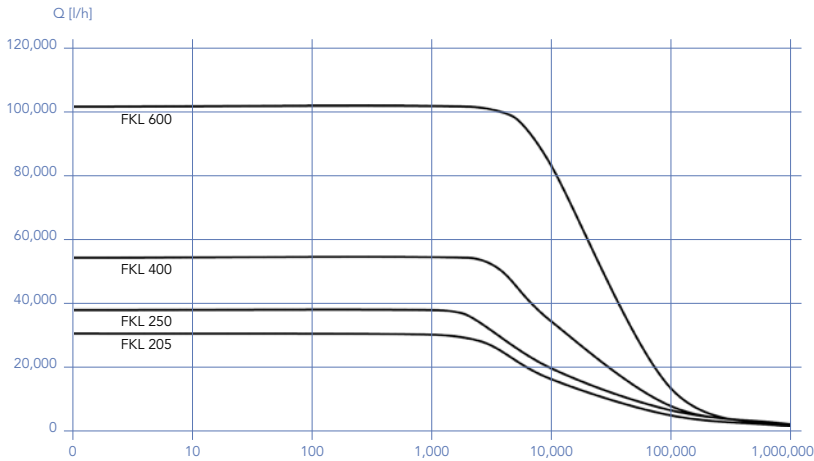
Unbalanced rotor



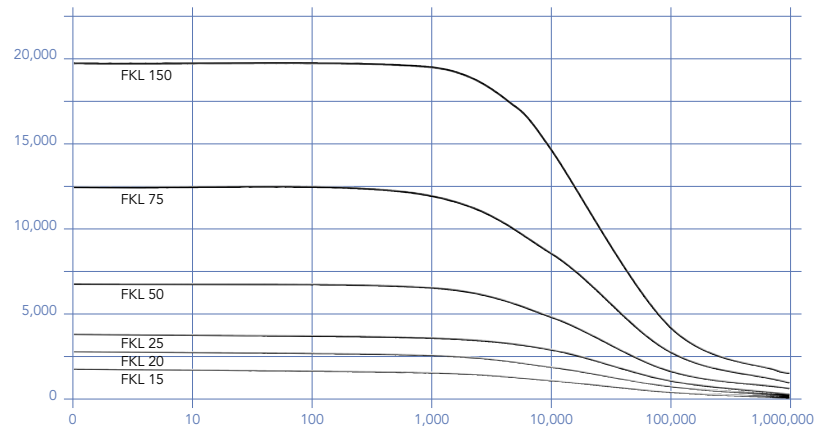
Model	15	20	25	50	75	150	205	250	400	580	600
Max. discharge pressure (bar)	14	14	21	35	35	35	35	35	35	21	21
Max. flow rates (m³/h)	3.5	5.8	7.6	13	21	35	61	73	100	165	203
Max. rpm	1000	800	600	600	600	600	600	600	600	400	400
Connection DIN	40	40	40	65	65	80	100	100	100	150	150
Connection types	To suit requirements										
Viscosity	Up to 1,000,000 mPas										
Rotation	bi-directional, reversible										
Temp. (°C)	Up to 135°C with high-temperature rotors										
Gasket material	Viton, EPDM, FKM, NBR, FPM, alternative materials possible										
Mounting	Horizontal and vertical (drive shaft option)										
Mechanical seal	Single and double										
Options	ATEX, heating jackets, special paint, special surface finish, electro-polish, rectangular inlets, drain, stainless steel gear box, kolsterising, individual adaptations (bespoke) for specific products, processes and systems										

Please note that all technical information is subject to further development of the product range.

CHARACTERISTIC CURVES *



FKL Series 205-600



FKL Series 15-150

*) Transportation of water **) Viscosity

Архангельск (8182)63-90-72
 Астана (7172)727-132
 Астрахань (8512)99-46-04
 Барнаул (3852)73-04-60
 Белгород (4722)40-23-64
 Брянск (4832)59-03-52
 Владивосток (423)249-28-31
 Волгоград (844)278-03-48
 Вологда (8172)26-41-59
 Воронеж (473)204-51-73
 Екатеринбург (343)384-55-89
 Иваново (4932)77-34-06

Ижевск (3412)26-03-58
 Иркутск (395)279-98-46
 Казань (843)206-01-48
 Калининград (4012)72-03-81
 Калуга (4842)92-23-67
 Кемерово (3842)65-04-62
 Киров (8332)68-02-04
 Краснодар (861)203-40-90
 Красноярск (391)204-63-61
 Курск (4712)77-13-04
 Липецк (4742)52-20-81
 Киргизия (996)312-96-26-47

Магнитогорск (3519)55-03-13
 Москва (495)268-04-70
 Мурманск (8152)59-64-93
 Набережные Челны (8552)20-53-41
 Нижний Новгород (831)429-08-12
 Новокузнецк (3843)20-46-81
 Новосибирск (383)227-86-73
 Омск (3812)21-46-40
 Орел (4862)44-53-42
 Оренбург (3532)37-68-04
 Пенза (8412)22-31-16
 Казахстан (772)734-952-31

Пермь (342)205-81-47
 Ростов-на-Дону (863)308-18-15
 Рязань (4912)46-61-64
 Самара (846)206-03-16
 Санкт-Петербург (812)309-46-40
 Саратов (845)249-38-78
 Севастополь (8692)22-31-93
 Симферополь (3652)67-13-56
 Смоленск (4812)29-41-54
 Сочи (862)225-72-31
 Ставрополь (8652)20-65-13
 Таджикистан (992)427-82-92-69

Сургут (3462)77-98-35
 Тверь (4822)63-31-35
 Томск (3822)98-41-53
 Тула (4872)74-02-29
 Тюмень (3452)66-21-18
 Ульяновск (8422)24-23-59
 Уфа (347)229-48-12
 Хабаровск (4212)92-98-04
 Челябинск (351)202-03-61
 Череповец (8202)49-02-64
 Ярославль (4852)69-52-93